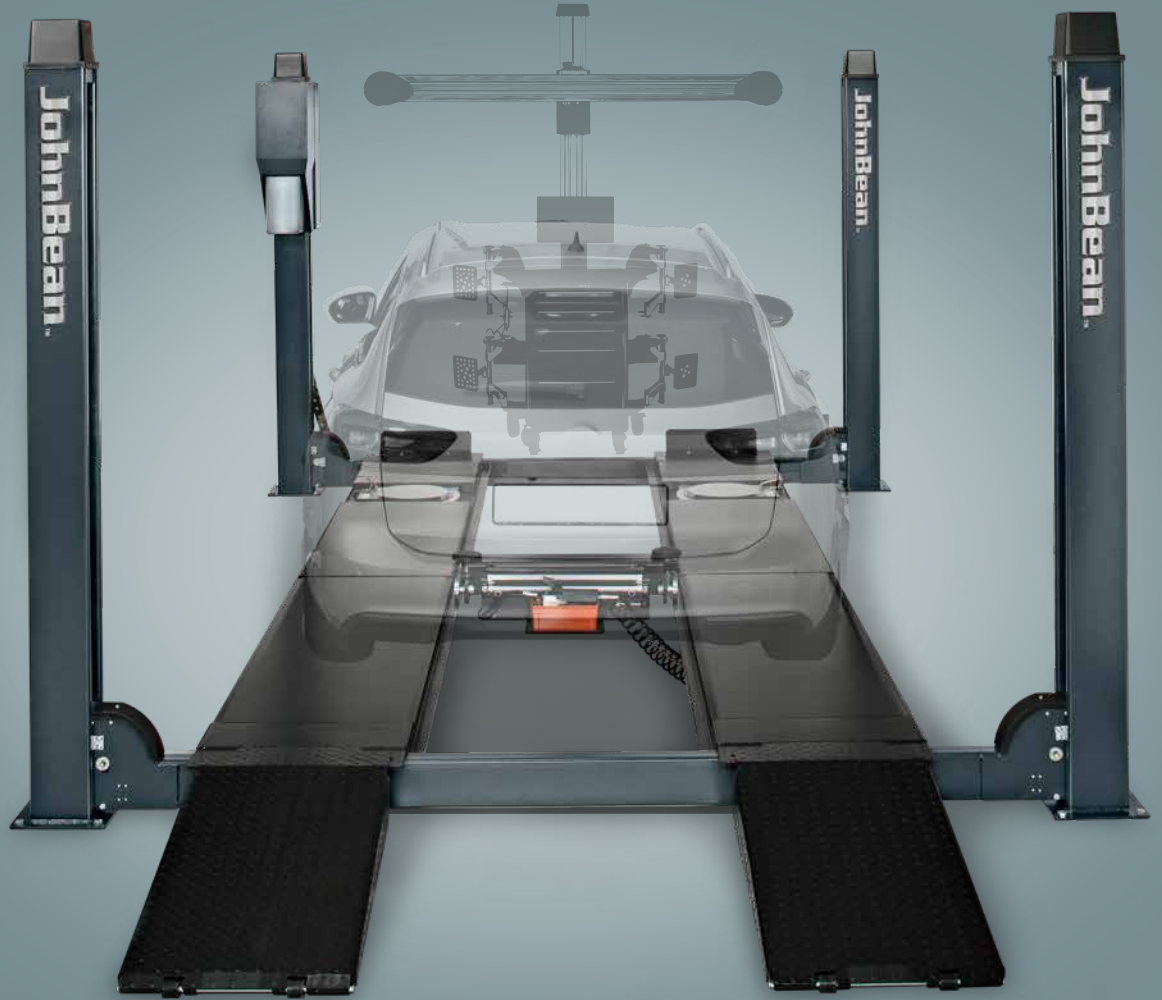


4-POST LIFT



# THE PERFECT COMBINATION

INTRODUCING THE **JLF 4000** PROFESSIONAL  
4-POST LIFT

**JohnBean**™

# THE 4-POST LIFT JLF 4000 IS THE PERFECT COMBINATION WITH THE WIDE RANGE OF JOHN BEAN 3D WHEEL ALIGNERS

PERFECT LIFT FOR WHEEL  
ALIGNMENT OF ALL VEHICLES  
FROM PASSENGER CARS,  
SUV'S, TRANSPORTERS UP TO  
MID SIZED VANS

## KEY FEATURES



### CONTROL UNIT

Clear and easy to understand, with emergency switch and comfort lowering which allows the automatic release of the carriage from the safety lock when lowering the lift.

### JACK (OPTIONAL)

The sliding jack increases versatility as lift also can be used for brake service.

### TURNTABLES (OPTIONAL)

The turnplates are perfectly integrated in the runways and can be placed in 3 different positions to support a wide range of wheel bases.

### SAFETY LADDER

With safety locks every 100mm to set the runways in the locked position for wheel alignment.

### CABLE SYSTEM

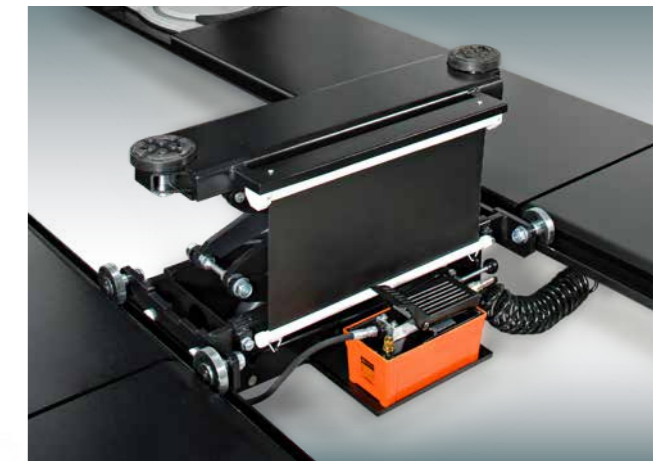
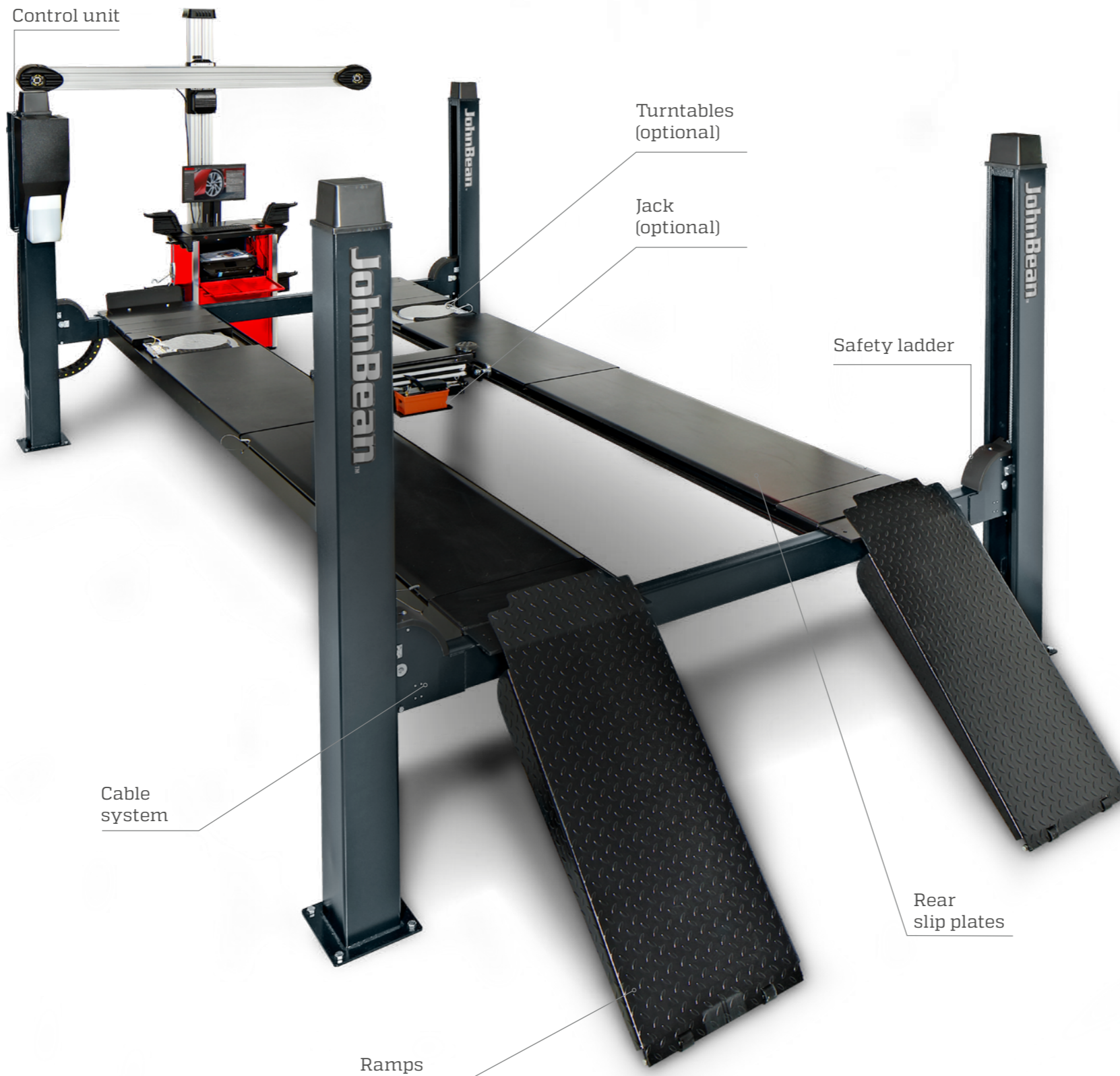
The rugged brass pulleys ensure long life of the lift.

### REAR SLIP PLATES

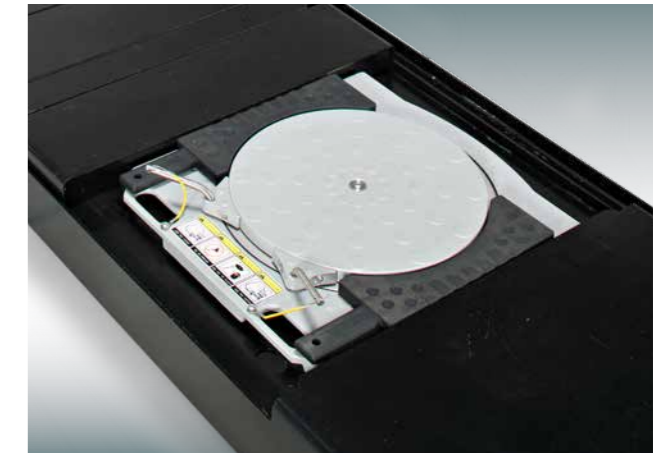
The integrated rear slip plates guarantee that a four wheel alignment can be performed on all vehicles with wheel bases from 1.930 mm up to 4.150 mm. For best sliding performance each slip plate is equipped with 3 sections with a total of 120 rollers.

### RAMPS

Designed to allow cars with lowered chassis to drive on the lift without any damage.



Jack (optional)



Turntables (optional)



Safety ladder



Cable system

# 4-POST LIFT JLF 4000

Contact your representative and discover the best combination with your favourite John Bean wheel aligner and turntables as a complete package.



Turntables and paddle kit included in special packages

## TECHNICAL SPECIFICATIONS

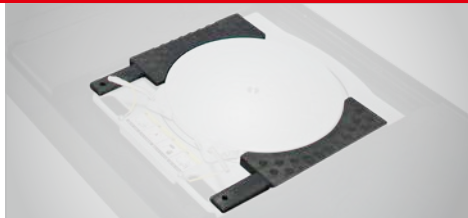
## JLF 4000

Lifting capacity	4.000 kg
Lifting/ lowering times	40 / 35 sec.
Lifting height	1.830 mm
Min 4-wheel alignment	1.930 mm
Max 4-wheel alignment	4.150 mm
Length of slip plates	1.980 mm
Column height	2.343 mm
Runway length	5.280 mm
Runway Width	630 mm
Max. total length (without wheel aligner)	6.350 mm
Max. total width	3.310 mm
Max. total height	2.345 mm
Power supply	400 V 50 Hz / 3ph

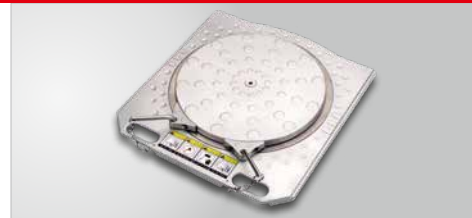
## ACCESSORIES



Jack for 4-post lift



Paddle kit for premium turntable



Premium turntable kit

### EMEA-JA

Snap-on Equipment s.r.l. · Via Prov. Carpi, 33 · 42015 Correggio (RE)  
Phone: +39 0522 733-411 · Fax: +39 0522 733-479

### France

Snap-on Equipment France · ZA du Vert Galant · 15, rue de la Guivernone BP 97175 · Saint-Ouen-l'Aumône · 95056 Cergy-Pontoise CEDEX  
Phone: +33 134 48 58-78 · Fax: +33 134 48 58-70

### Germany

Snap-on Equipment GmbH · Konrad-Zuse-Straße 1 · 84579 Unterneukirchen  
Phone: +49 8634 622-0 · Fax: +49 8634 5501

### Italy

Snap-on Equipment s.r.l. · Via Prov. Carpi, 33 · 42015 Correggio (RE)  
Phone: +39 0522 733-411 · Fax: +39 0522 733-410

### United Kingdom

Snap-on Equipment Ltd. · Unit 17 Denney Road, King's Lynn · Norfolk PE30 4HG  
Phone: +44 118 929-6811 · Fax: +44 118 966-4369

Part of the machines is illustrated with optional extras which are available at extra cost. Technical modifications reserved.

Cod. 1904 901 · 05/2019

**JohnBean**

[www.johnbean.com](http://www.johnbean.com)